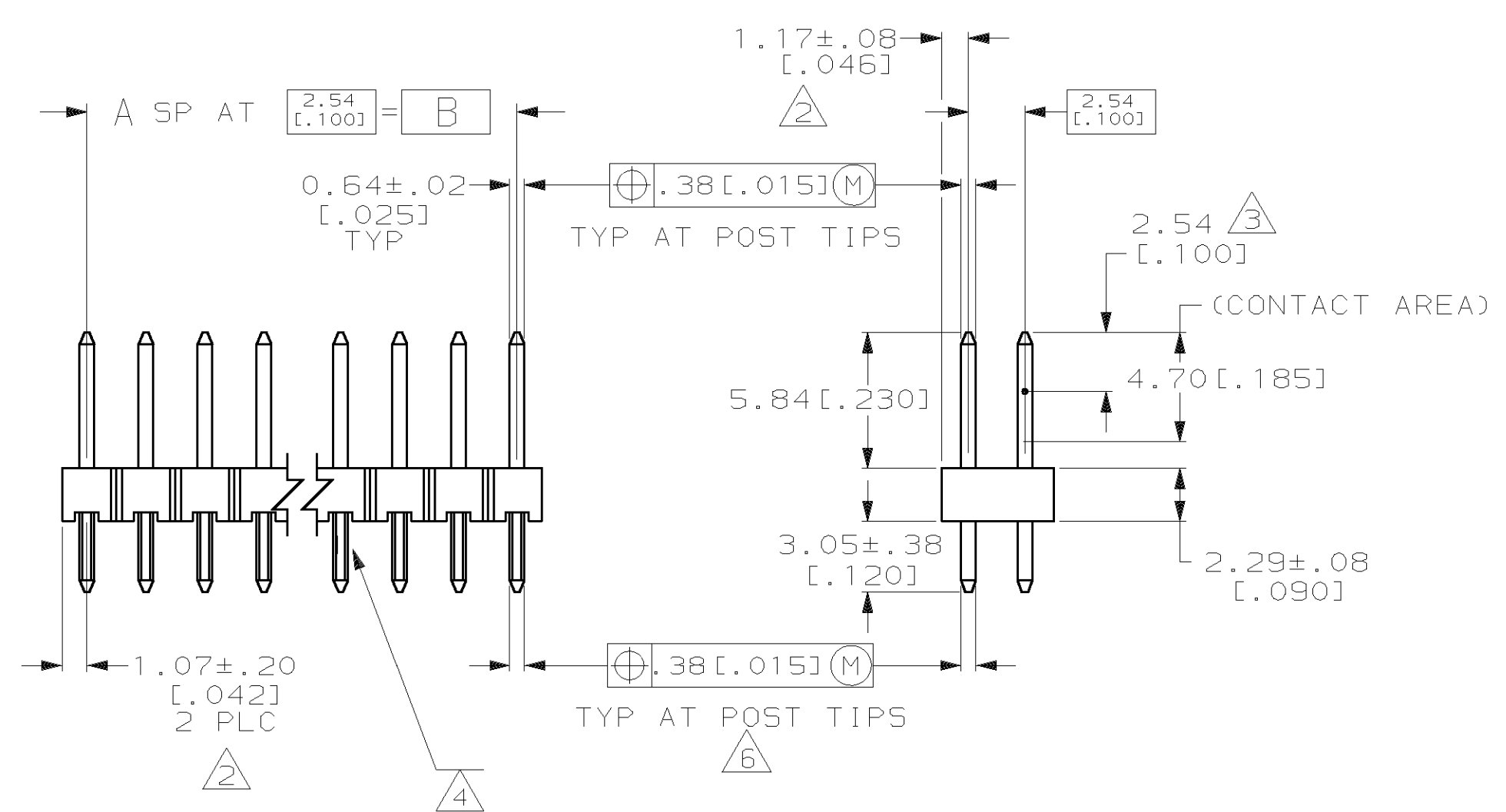
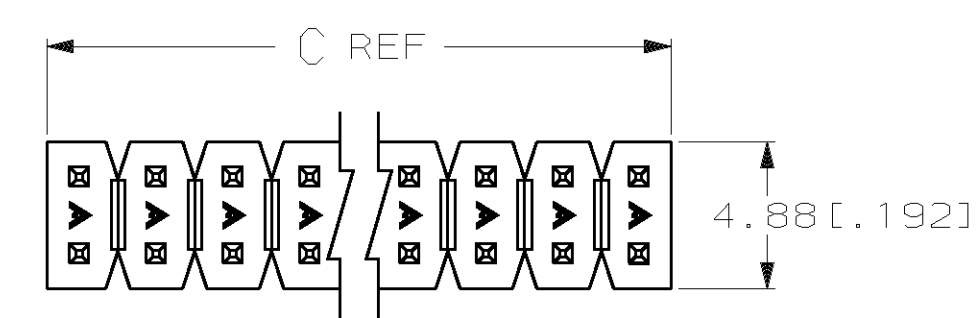
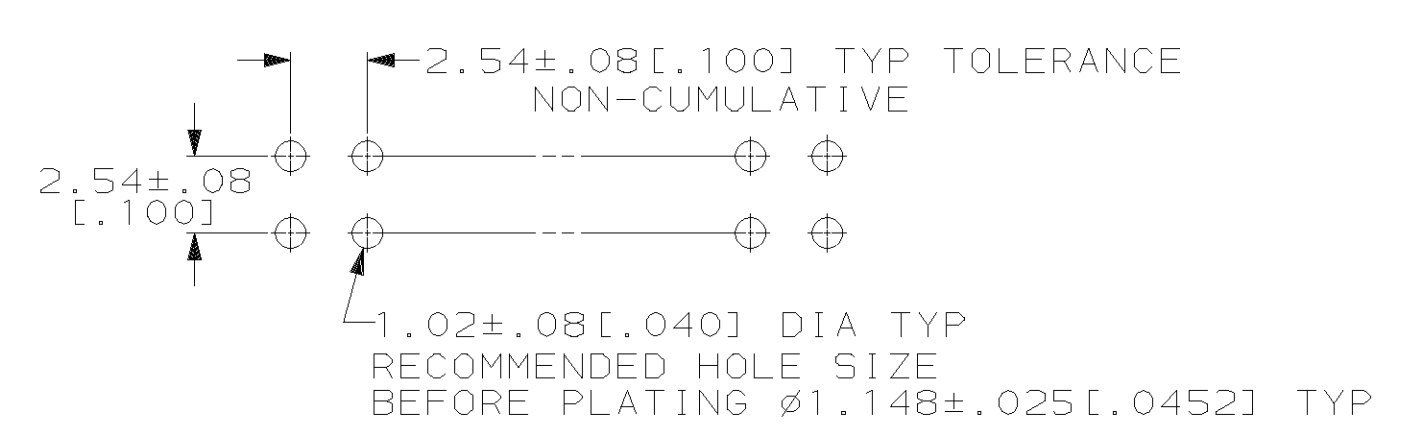


LOC		DIST		REVOLUTIONS		DATE	APPD	
AD	39	P	F	ZONE	LTR	DESCRIPTION	DATE	APPD
						NEW PER DP1321-539	7-18-94	GD
						REVISED PER 0010-0436-95	10/8/96	RB GD
						REVISED PER 0010-0252-96	10/8/96	RB GD
						REVISED PER 0430-0023-96	10/8/96	RB GD
						REV PER 0621-0244-98	30NOV99	JG
						REV PER 063C-0249-99	03FEB99	JG



- 1 TRUE POSITION TOLERANCE OF THE POST TIPS APPLIES WHEN THE HEADER IS HELD FLAT AGAINST THE PRINTED CIRCUIT BOARD
- 2 THE NOTED DIMENSIONS APPLY AT THE INTERSECTION OF THE POST AND HOUSING
- 3 POINT OF MEASUREMENT FOR PLATING THICKNESS
- 4 RETENTION FEATURE ON SOLDER TAILS LOCATED AT MANUFACTURER'S OPTION.
- 6 $\oplus .020 (M)$ FOR KINKED TAILS



RECOMMENDED HOLE LAYOUT

101.19 [3.984]	99.06 [3.900]	39	80	4-146145-0
98.65 [3.884]	96.52 [3.800]	38	78	3-146145-9
96.11 [3.784]	93.98 [3.700]	37	76	3-146145-8
93.57 [3.684]	91.44 [3.600]	36	74	3-146145-7
91.03 [3.584]	88.90 [3.500]	35	72	3-146145-6
88.49 [3.484]	86.36 [3.400]	34	70	3-146145-5
85.95 [3.384]	83.82 [3.300]	33	68	3-146145-4
83.41 [3.284]	81.28 [3.200]	32	66	3-146145-3
80.87 [3.184]	78.74 [3.100]	31	64	3-146145-2
78.33 [3.084]	76.20 [3.000]	30	62	3-146145-1
75.79 [2.984]	73.66 [2.900]	29	60	3-146145-0
73.25 [2.884]	71.12 [2.800]	28	58	2-146145-9
70.71 [2.784]	68.58 [2.700]	27	56	2-146145-8
68.17 [2.684]	66.04 [2.600]	26	54	2-146145-7
65.63 [2.584]	63.50 [2.500]	25	52	2-146145-6
63.09 [2.484]	60.96 [2.400]	24	50	2-146145-5
60.55 [2.384]	58.42 [2.300]	23	48	2-146145-4
58.01 [2.284]	55.88 [2.200]	22	46	2-146145-3
55.47 [2.184]	53.34 [2.100]	21	44	2-146145-2
52.93 [2.084]	50.80 [2.000]	20	42	2-146145-1
50.39 [1.984]	48.26 [1.900]	19	40	2-146145-0
47.85 [1.884]	45.72 [1.800]	18	38	1-146145-9
45.31 [1.784]	43.18 [1.700]	17	36	1-146145-8
42.77 [1.684]	40.64 [1.600]	16	34	1-146145-7
40.23 [1.584]	38.10 [1.500]	15	32	1-146145-6
37.69 [1.484]	35.56 [1.400]	14	30	1-146145-5
35.15 [1.384]	33.02 [1.300]	13	28	1-146145-4
32.61 [1.284]	30.48 [1.200]	12	26	1-146145-3
30.07 [1.184]	27.94 [1.100]	11	24	1-146145-2
27.53 [1.084]	25.40 [1.000]	10	22	1-146145-1
24.99 [0.984]	22.86 [0.900]	9	20	1-146145-0
22.45 [0.884]	20.32 [0.800]	8	18	146145-9
19.91 [0.784]	17.78 [0.700]	7	16	146145-8
17.37 [0.684]	15.24 [0.600]	6	14	146145-7
14.83 [0.584]	12.70 [0.500]	5	12	146145-6
12.29 [0.484]	10.16 [0.400]	4	10	146145-5
9.75 [0.384]	8.99 [0.300]	3	8	146145-4
7.21 [0.284]	6.45 [0.200]	2	6	146145-3
4.67 [0.184]	2.54 [0.100]	1	4	146145-2
2.13 [0.084]	-	-	2	146145-1
C	B	A	NO OF POSN	PART NUMBER

DO NOT SCALE PRINT. UNLESS SPECIFIED DIMENSIONS IN INCHES TOLERANCES ON: 1 PLG DEC ± 0.13[0.05] 2 PLC DEC ± 0.13[0.05] 3 PLC DEC ± - ANGLES ± -	DR 7-18-94 J KNAUB CHK 7-18-94 G DUBNICZKI APPD 7-18-94 G DUBNICZKI	AMP INCORPORATED Harrisburg, Pa. 17105
MATERIAL HOUSING: FLAME RETARDANT THERMOPLASTIC COLOR-BLACK POST: PHOSPHOR BRONZE FINISH POSTS: 0.000127[0.000051] GOLD DUPLEX	APPD 7-18-94 G DUBNICZKI PRODUCT SPEC - APPLICATION SPEC - WEIGHT -	